

# IFPS fire penetration seals

acc. to EN 45545-3, single



Fire penetration seals for certified [icotek BS cable entry components](#), approved for use in [railway technology](#) (meeting the standards EN 45545-2, EN 45545-3 and EN 1363-1).

The intumescent (foaming) IFPS fire penetration seals which are mounted at the backside of the cable entry components consist of expandable graphite and increase their volume by a multiple in case of a fire. This creates a barrier which prevents a penetration of flames and high heat from one room into another for the longest possible period.

Based on the standards EN 45545-3 and EN 1363-1 icotek cable entry systems have been tested on "E45" and "EI30" in vertical alignment using mounted IFPS fire penetration seals. All tested products have been successfully certified using only one layer of fire penetration seals.

Furthermore, conventional cables instead of fire-resistant railway cables have been used for the testing.

Also available: IFPS fire penetration seal stripe, 900 x 17 x 2.7 mm, self-adhesive

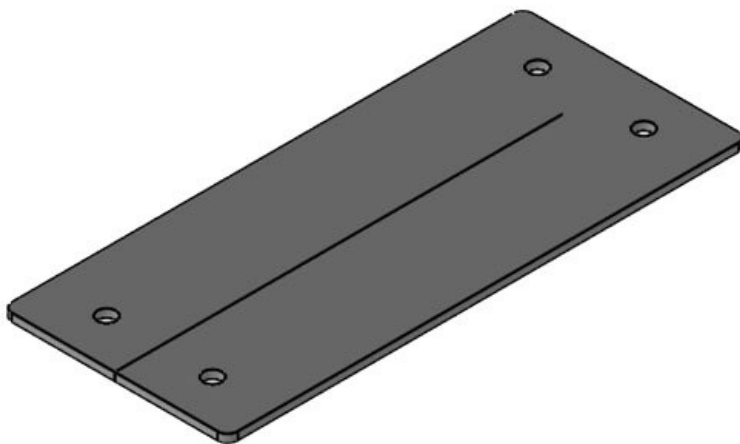
## Specifications

Material	Graphite
Properties	intumescent (foaming), halogen free, silicone free

## Advantages & benefits

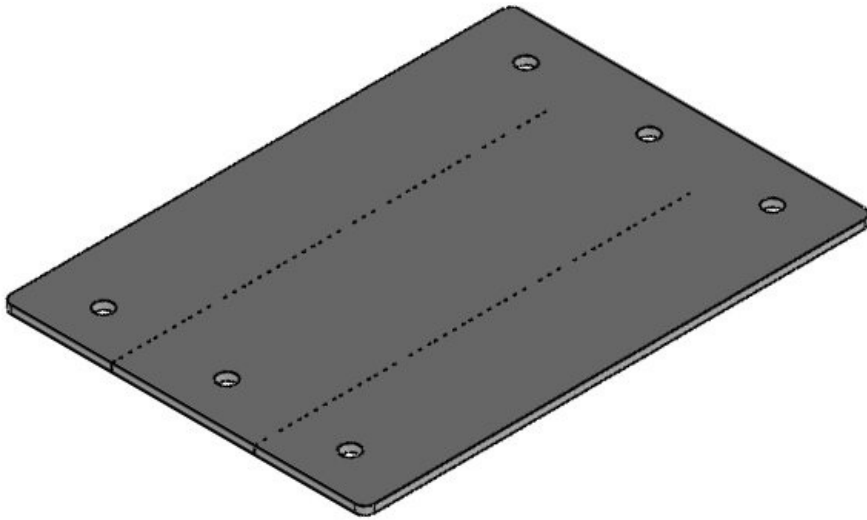
## Product types & sizes

IFPS 24



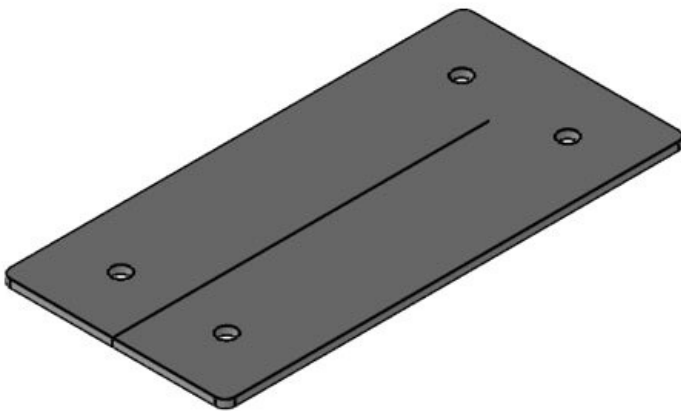
Part No.	<b>99300</b>	Cut-out size	<b>112 x 36 mm</b>
EAN	<b>4251269318</b>	No. of screw holes	<b>4</b>
Package quantity	<b>375</b>	Diam. of screw holes	<b>5,5 mm</b>
Length	<b>157 mm</b>		
Width	<b>68 mm</b>		
Height	<b>2,5 mm</b>		
Mounting height	<b>2,5 mm</b>		

IFPS 24-MT



Part No.	<b>99312</b>	No. of screw	<b>6</b>
EAN	<b>4251269323</b>	holes	
	<b>362</b>	Diam. of screw	<b>5,5 mm</b>
Package quantity	<b>1</b>	holes	
Length	<b>157 mm</b>		
Width	<b>112 mm</b>		
Height	<b>2,5 mm</b>		
Mounting height	<b>2,5 mm</b>		

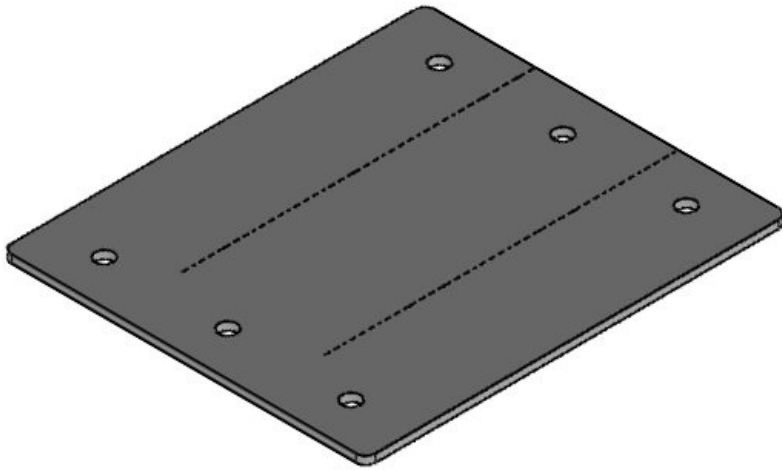
IFPS 16



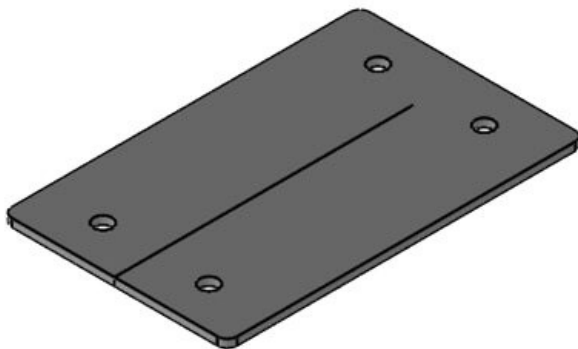
Part No.	<b>99301</b>	Cut-out size	<b>86 x 36 mm</b>
EAN	<b>4251269318</b>	No. of screw	<b>4</b>
	<b>382</b>	holes	
Package quantity	<b>1</b>	Diam. of screw	<b>5,5 mm</b>
Length	<b>140 mm</b>	holes	
Width	<b>68 mm</b>		
Height	<b>2,5 mm</b>		
Mounting height	<b>2,5 mm</b>		

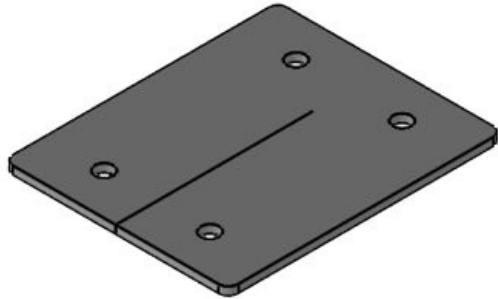
**IFPS 16-MT**

Part No.	<b>99314</b>	No. of screw	<b>6</b>
EAN	<b>4251269323</b>	holes	
	<b>966</b>	Diam. of screw	<b>5,5 mm</b>
Package quantity	<b>1</b>	holes	
Length	<b>130 mm</b>		
Width	<b>112 mm</b>		
Height	<b>2,5 mm</b>		
Mounting height	<b>2,5 mm</b>		

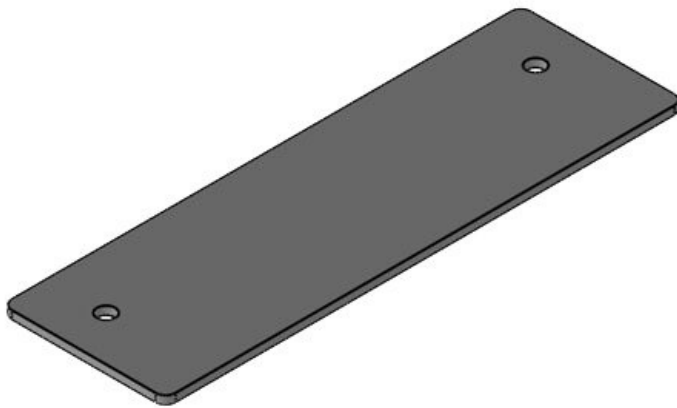
**IFPS 10**

Part No.	<b>99306</b>	Cut-out size	<b>65 x 36 mm</b>
EAN	<b>4251269322</b>	No. of screw	<b>4</b>
	<b>280</b>	holes	
Package quantity	<b>1</b>	Diam. of screw	<b>5,5 mm</b>
Length	<b>108 mm</b>	holes	
Width	<b>68 mm</b>		
Height	<b>2,5 mm</b>		
Mounting height	<b>2,5 mm</b>		



**IFPS-B**

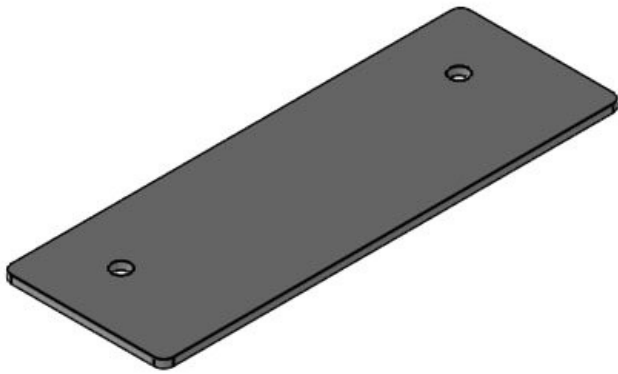
Part No.	<b>99305</b>	Cut-out size	<b>46 × 46 mm</b>
EAN	<b>4251269319075</b>	No. of screw holes	<b>4</b>
Package quantity	<b>1</b>	Diam. of screw holes	<b>5,5 mm</b>
Length	<b>83 mm</b>		
Width	<b>68 mm</b>		
Height	<b>2,5 mm</b>		
Mounting height	<b>2,5 mm</b>		

**IFPS-E5**

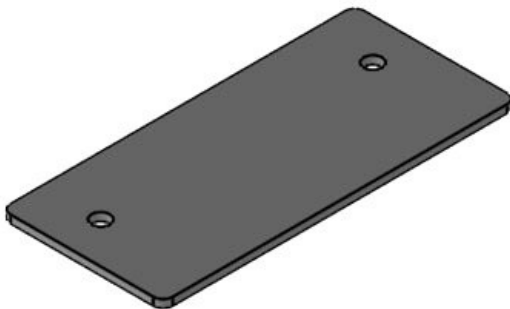
Part No.	<b>99302</b>	Cut-out size	<b>112 × 24 mm</b>
EAN	<b>4251269318399</b>	No. of screw holes	<b>2</b>
Package quantity	<b>1</b>	Diam. of screw holes	<b>5,5 mm</b>
Length	<b>157 mm</b>		
Width	<b>49,5 mm</b>		
Height	<b>2,5 mm</b>		
Mounting height	<b>2,5 mm</b>		

**IFPS-E4**

Part No.	<b>99309</b>	Cut-out size	<b>86 × 24 mm</b>
EAN	<b>4251269321702</b>	No. of screw holes	<b>2</b>
Package quantity	<b>1</b>	Diam. of screw holes	<b>5,5 mm</b>
Length	<b>140 mm</b>		
Width	<b>49,5 mm</b>		
Height	<b>2,5 mm</b>		
Mounting height	<b>2,5 mm</b>		

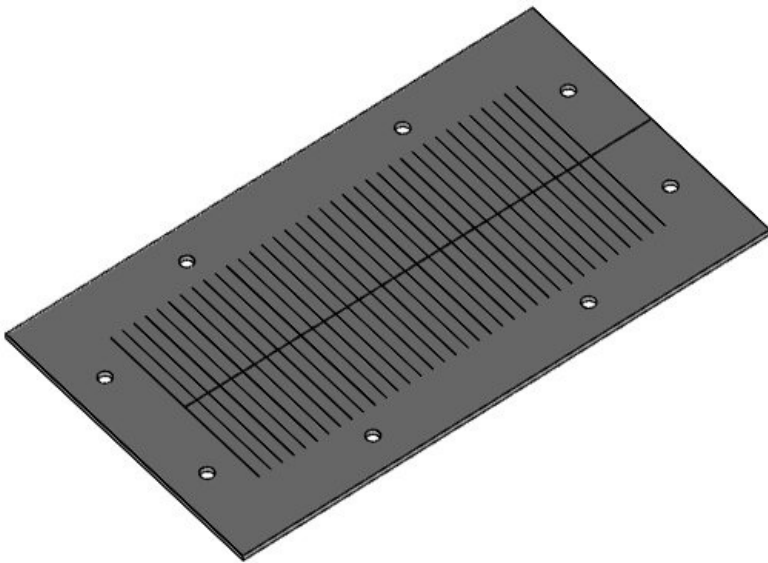
**IFPS-E3**

Part No.	<b>99308</b>	Cut-out size	<b>65 × 24 mm</b>
EAN	<b>4251269321696</b>	No. of screw holes	<b>2</b>
Package quantity	<b>1</b>	Diam. of screw holes	<b>5,5 mm</b>
Length	<b>108 mm</b>		
Width	<b>49,5 mm</b>		
Height	<b>2,5 mm</b>		
Mounting height	<b>2,5 mm</b>		





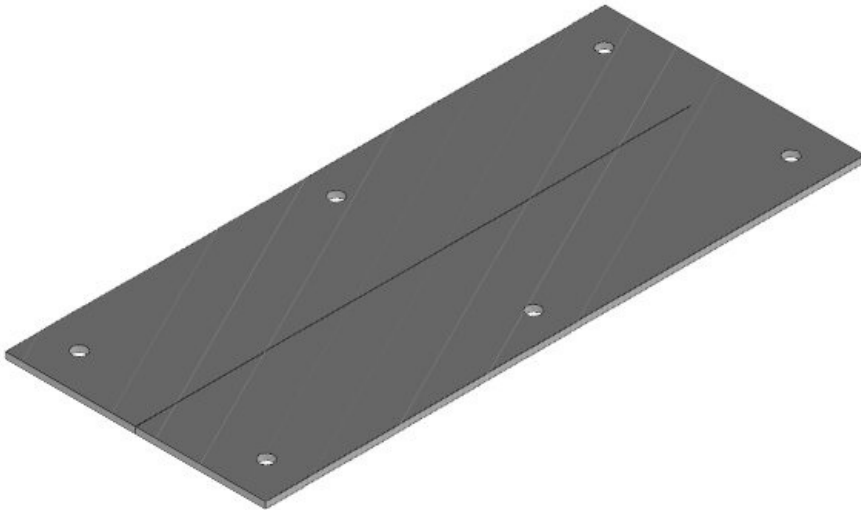
Part No.	<b>99307</b>	Cut-out size	<b>43 × 24 mm</b>
EAN	<b>4251269321689</b>	No. of screw holes	<b>2</b>
Package quantity	<b>1</b>	Diam. of screw holes	<b>5,5 mm</b>
Length	<b>83 mm</b>		
Width	<b>49,5 mm</b>		
Height	<b>2,5 mm</b>		
Mounting height	<b>2,5 mm</b>		



Part No.	<b>99311</b>	Cut-out size	<b>180 × 80 mm</b>
EAN	<b>4251269325670</b>	No. of screw holes	<b>8</b>
Package quantity	<b>1</b>	Diam. of screw holes	<b>5,5 mm</b>
Length	<b>232 mm</b>		
Width	<b>130 mm</b>		
Height	<b>2,5 mm</b>		
Mounting height	<b>2,5 mm</b>		

**IFPS KX/KL**

Part No.	<b>99315</b>	Cut-out size	<b>192 × 62 mm</b>
EAN	<b>4251269324</b>	No. of screw holes	<b>6</b>
Package quantity	<b>1</b>	Diam. of screw holes	<b>5,5 mm</b>
Length	<b>231 mm</b>		
Width	<b>100 mm</b>		
Height	<b>2,5 mm</b>		
Mounting height	<b>2,5 mm</b>		



**IFPS fire penetration seal stripe**

Part No.	<b>99303</b>
EAN	<b>4251269318</b>
Package quantity	<b>1</b>
Length	<b>900 mm</b>
Width	<b>17 mm</b>
Height	<b>2,7 mm</b>

